

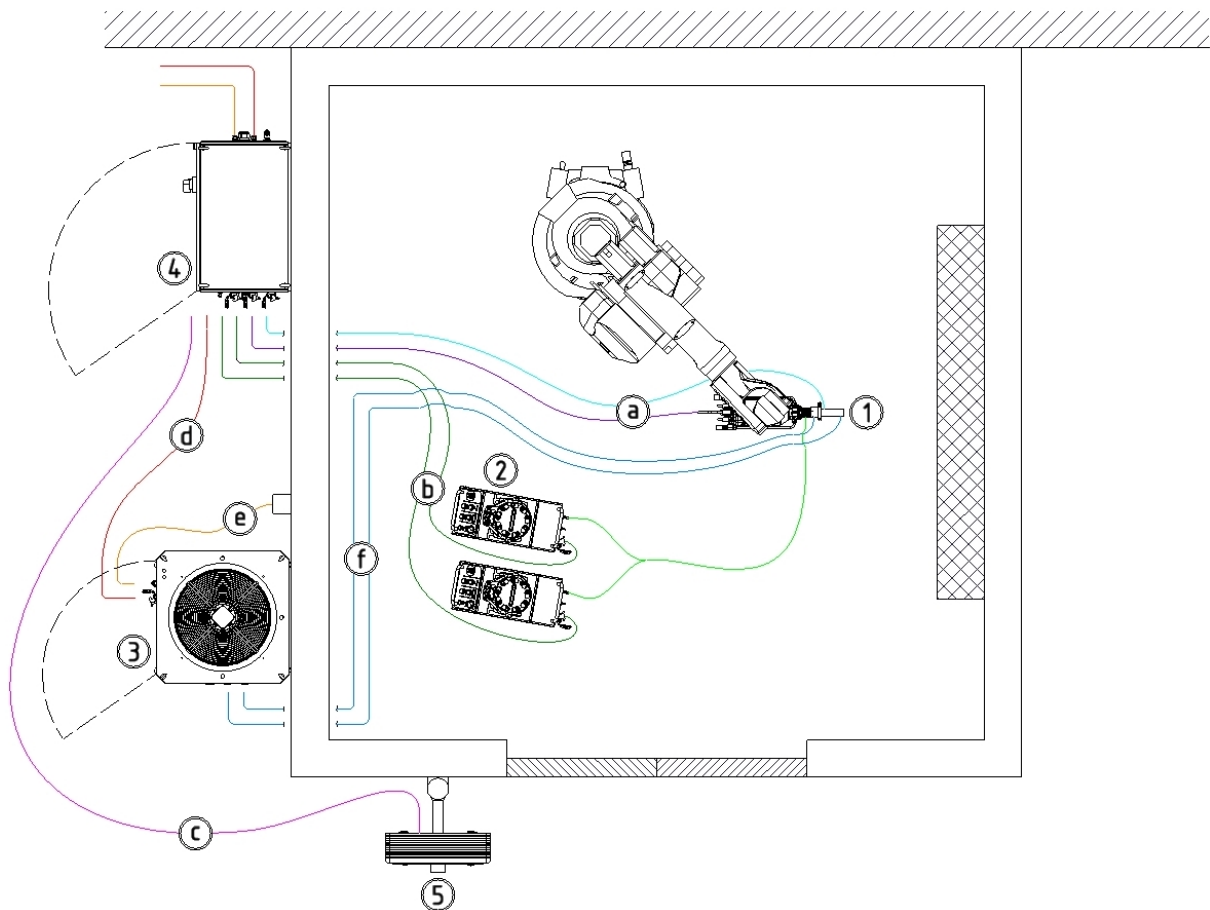
# Customers Information- and Questionnaire

Impact Innovations GmbH  
Bürgermeister-Steinberger-Ring 1  
D-84431 Haun/Rattenkirchen

Phone: +49 (0)8636 695190-0  
Fax: +49 (0)8636 695190-10

Email: [info@impact-innovations.com](mailto:info@impact-innovations.com)  
Web: [www.impact-innovations.com](http://www.impact-innovations.com)

## Components - dimensions and weight / cable and hose lengths:





# Customers Information- and Questionnaire

Impact Innovations GmbH  
Bürgermeister-Steinberger-Ring 1  
D-84431 Haun/Rattenkirchen

Phone: +49 (0)8636 695190-0  
Fax: +49 (0)8636 695190-10

Email: [info@impact-innovations.com](mailto:info@impact-innovations.com)  
Web: [www.impact-innovations.com](http://www.impact-innovations.com)

1. Impact Gun 5/8                       ⇒ 780 mm x 209 mm x 223 mm / 21,5 Kg  
   Impact Gun 5/11                     ⇒ 784 mm x 209 mm x 223 mm / 27 Kg
  
2. Impact Powder Feeder 5/11      ⇒ 657 mm x 266 mm x 705 mm / 45 Kg
  
3. Impact Water Cooling 5/11      ⇒ 715 mm x 715 mm x 1545 mm / 190 Kg (without  
   coolant) / 310 Kg (with coolant)
  
4. Impact Control Unit 5/11  
   Control cabinet                     ⇒ 576 mm x 960 mm x 1760 mm / 220 Kg
  
5. Impact Control Unit 5/11  
   Control panel                       ⇒ 220 mm x 564 mm x 633 mm / 20 Kg
  
  
- a) Control cabinet - - - Gun (1x Cable / 2x Hose)                     \_\_\_\_\_   
   ⇒ Possible lengths: 7 - 20 m
  
- b) Control cabinet - - - Powder feeder (1x Cable / 1x Hose)         \_\_\_\_\_   
   ⇒ Possible lengths: 5 m ; 10 m ; 15 m ; 20 m
  
- c) Control cabinet - - - Control panel (1x Cable)                     \_\_\_\_\_   
   ⇒ Possible lengths: 5 m ; 10 m ; 15 m ; 20 m
  
- d) Control cabinet - - - Water cooling unit (1x Cable)               \_\_\_\_\_   
   ⇒ Possible lengths: 5 m ; 10 m ; 15 m ; 20 m
  
- e) Electrical power supply - - - Water cooling unit (1x Cable)       \_\_\_\_\_   
   ⇒ Possible lengths: 2 - 20 m
  
- f) Water cooling unit - - - Gun (2x Hose)                                 \_\_\_\_\_   
   ⇒ Possible lengths: 7 - 20 m

# Customers Information- and Questionnaire

Impact Innovations GmbH  
Bürgermeister-Steinberger-Ring 1  
D-84431 Haun/Rattenkirchen

Phone: +49 (0)8636 695190-0  
Fax: +49 (0)8636 695190-10

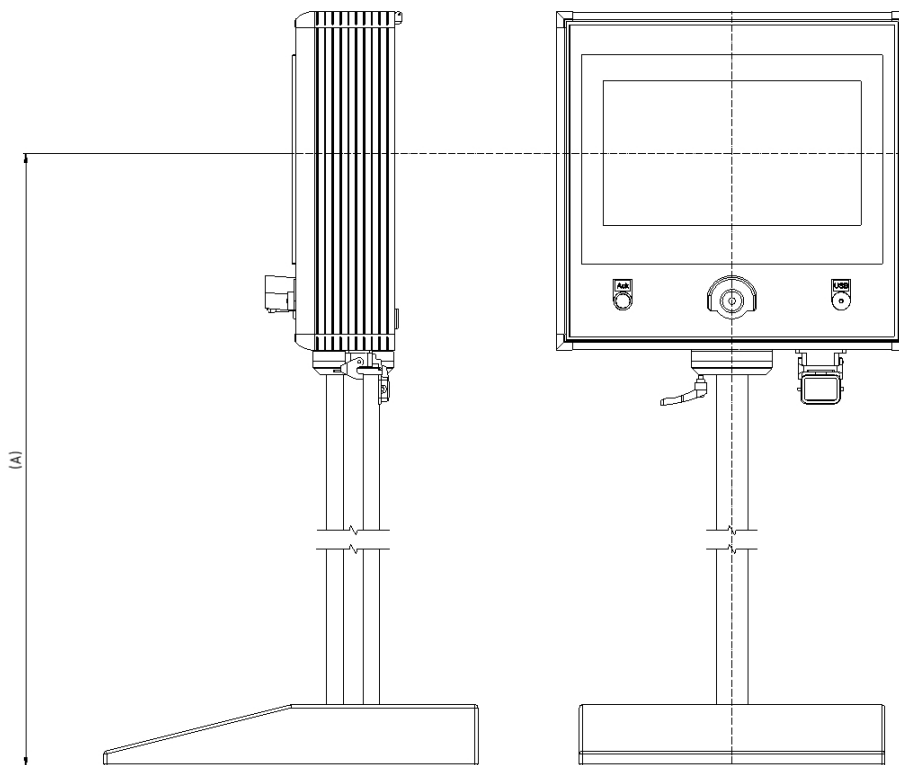
Email: [info@impact-innovations.com](mailto:info@impact-innovations.com)  
Web: [www.impact-innovations.com](http://www.impact-innovations.com)

---

---

## Mounting options control panel:

- Option (Pedestal)



Measure (A): \_\_\_\_\_

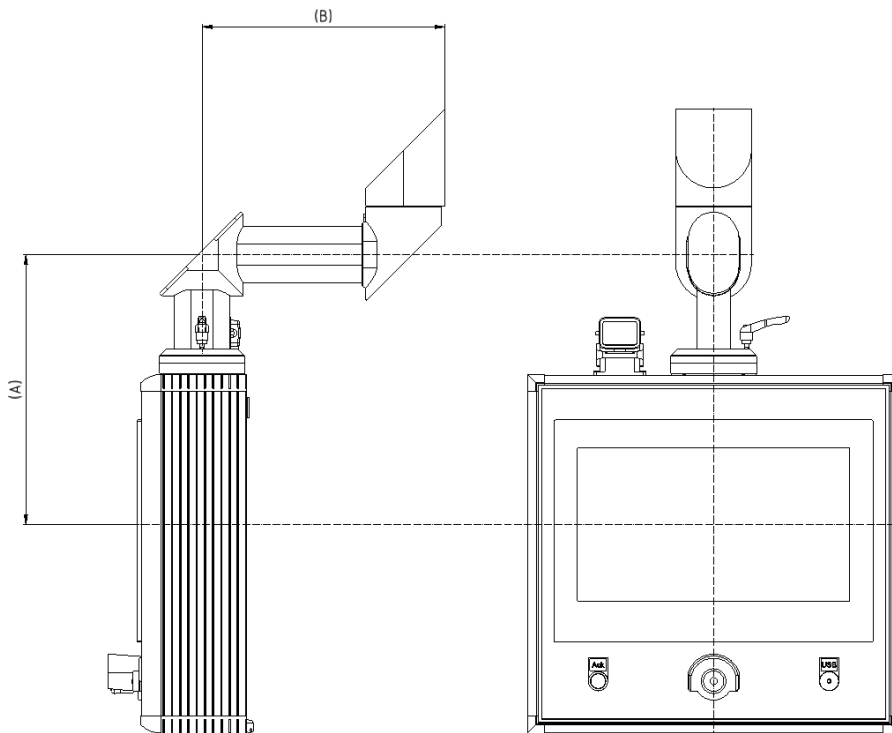
# Customers Information- and Questionnaire

Impact Innovations GmbH  
Bürgermeister-Steinberger-Ring 1  
D-84431 Haun/Rattenkirchen

Phone: +49 (0)8636 695190-0  
Fax: +49 (0)8636 695190-10

Email: [info@impact-innovations.com](mailto:info@impact-innovations.com)  
Web: [www.impact-innovations.com](http://www.impact-innovations.com)

➤ Option (Wall mounting top)



Measure (A): \_\_\_\_\_

Measure (B): \_\_\_\_\_

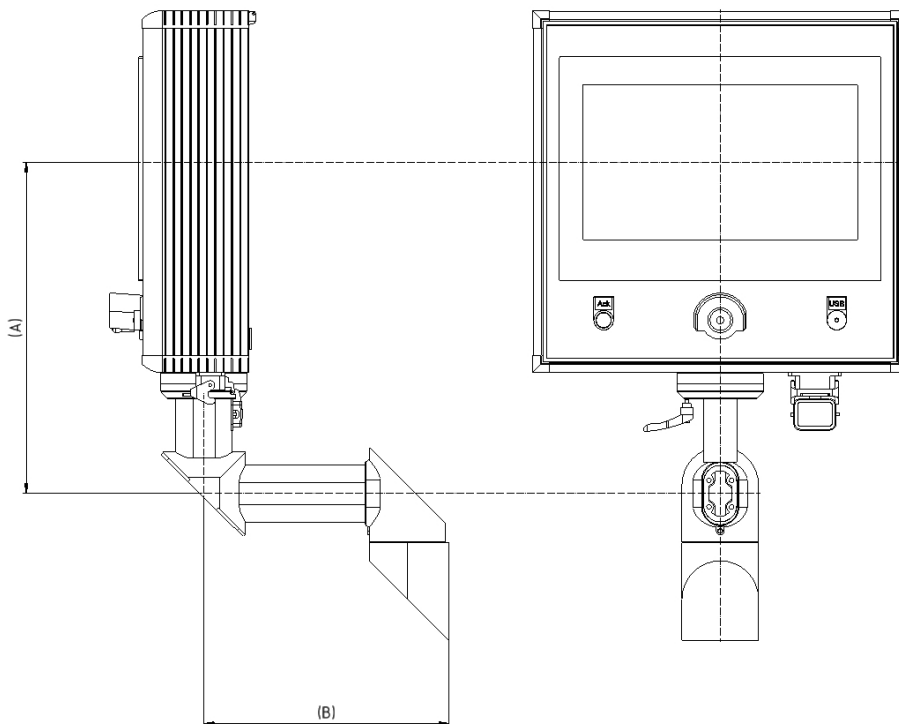
# Customers Information- and Questionnaire

Impact Innovations GmbH  
Bürgermeister-Steinberger-Ring 1  
D-84431 Haun/Rattenkirchen

Phone: +49 (0)8636 695190-0  
Fax: +49 (0)8636 695190-10

Email: [info@impact-innovations.com](mailto:info@impact-innovations.com)  
Web: [www.impact-innovations.com](http://www.impact-innovations.com)

➤ Option (Wall mounting bottom)



Measure (A): \_\_\_\_\_

Measure (B): \_\_\_\_\_

# Customers

## Information- and

### Questionnaire



Impact Innovations GmbH  
Bürgermeister-Steinberger-Ring 1  
D-84431 Haun/Rattenkirchen

Phone: +49 (0)8636 695190-0  
Fax: +49 (0)8636 695190-10

Email: [info@impact-innovations.com](mailto:info@impact-innovations.com)  
Web: [www.impact-innovations.com](http://www.impact-innovations.com)

---

---

### Supply connections:

#### Control cabinet:

➤ Electrical power supply

Interface: Screw connection terminals  
⇒ Single wire / multiple wire max. 50 mm<sup>2</sup>  
⇒ Fine wire with wire end sleeve max. 35 mm<sup>2</sup>  
⇒ Tightening torque 6 Nm

Supply voltage: 400 V / 480 V / 3 Ph AC  
⇒ Clockwise field of rotation

Power: Max. 42 kW

Pre - fuse: Max. 80 A  
⇒ No RCD allowed

➤ Gas supply

Interface: Compression fitting Ø 12 mm

Inlet pressure: Max. 63 bar (5/8 ; 5/11)  
Max. 75 bar (6/10)

Flow rate: Max. 190 m<sup>3</sup>/h i. N. (Nitrogen)  
Max. 270 m<sup>3</sup>/h i. N. (Helium)

Quality class: ≥ 99,999 % / Nitrogen 5.0  
≥ 99,996 % / Helium 4.6

➤ Compressed air supply

Interface: 2x compressed air connector ND 7,2  
⇒ Alternative: Female thread G ½

Inlet pressure: 7 - 10 bar

Flow rate: Max. 1,4 m<sup>3</sup>/min i. N.

Quality class: DIN ISO 8573-1 / class 1

# Customers

## Information- and

### Questionnaire

Impact Innovations GmbH  
Bürgermeister-Steinberger-Ring 1  
D-84431 Haun/Rattenkirchen

Phone: +49 (0)8636 695190-0  
Fax: +49 (0)8636 695190-10

Email: [info@impact-innovations.com](mailto:info@impact-innovations.com)  
Web: [www.impact-innovations.com](http://www.impact-innovations.com)

---

---

#### Water cooling unit:

➤ Electrical power supply

Interface: CEE - plug 16 A ; 5 - pole ; 3L + N + PE ; 6h  
⇒ Optionally: Alternative plug possible!

Supply voltage: 400 V / 480 V / 3 Ph AC  
⇒ Clockwise field of rotation

Power: Max. 8 kW

Pre - fuse: Max. 16 A

➤ Compressed air supply

Interface: compressed air connector ND 7,2

Inlet pressure: 5 - 10 bar

Flow rate: Max. 0,5 m<sup>3</sup>/min i. N.

Quality class: DIN ISO 8573-1 / class 1

➤ Coolant supply

Medium: Water (distilled)

Min. filling capacity: 60 L

Max. filling capacity: 120 L

Recommended capacity: 100 - 120 L



# Customers Information- and Questionnaire

Impact Innovations GmbH  
Bürgermeister-Steinberger-Ring 1  
D-84431 Haun/Rattenkirchen

Phone: +49 (0)8636 695190-0  
Fax: +49 (0)8636 695190-10

Email: [info@impact-innovations.com](mailto:info@impact-innovations.com)  
Web: [www.impact-innovations.com](http://www.impact-innovations.com)

---

---

## Possible interfaces to connect the Impact Spray System to external periphery:

- Interface (External Emergency - Stop)
- Interface (Enable signals)
- Interface (Remote control)
- Interface (Remote maintenance / network connection)

Please provide electrical plans of existing equipment!

⇒ If possible!